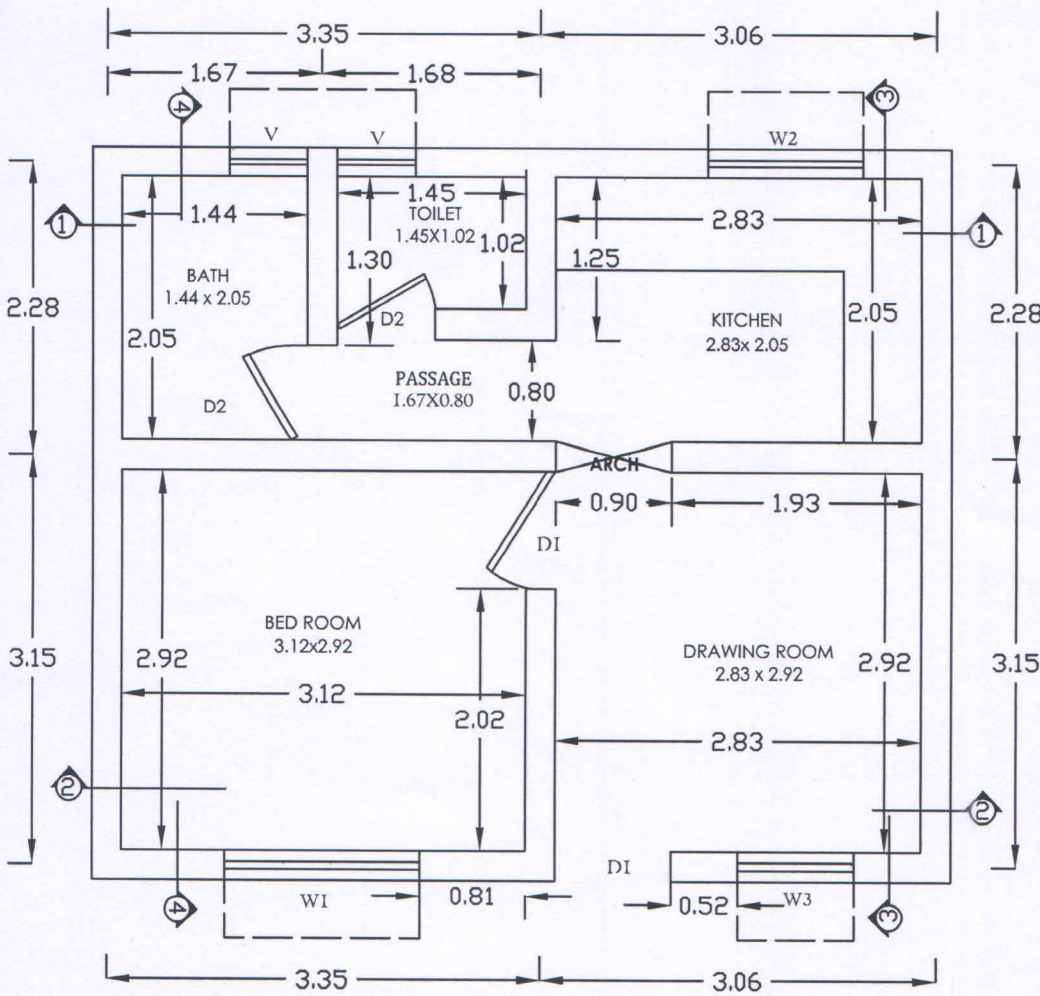


NOTES:-

- All dimensions are in m, unless wherever specified diameter of the bars shown in mm
- Dimensions are not to be scaled out, only written dimensions may be taken as correct.
- Nominal mix concrete 1:1.5:3 according IS 456 Clause 9.3
- The reinforcement shall be of high strength deformed steel bars conforming to IS:1786-2008
- Lap length and development length (L_d) for 8 mm Φ is 400 mm
- Second class brick must be used
- Mortar 1:5 according to Table 3 IS 4326-2013
- All walls are one Brick Thick Masonry walls or Autoclaved Aerated Block of Class 7.5
- Partition Wall of WC and Bath, toilet and passage shall be constructed till full height after slab casting
- Any discrepancy in the structural drawings should be correlated with architectural drawing.
- Refer DWG-2 to DWG-5 for earthquake resistance and structural detail.



FLOOR PLAN DETAIL

Schedule of Door & Windows

Name	Lintel	Width	Sill lvl	Description
D1	2.10	0.90	--	
D2	2.10	0.75	--	
W1	2.10	1.50	0.90	
W2	2.10	1.20	0.90	
W3	2.10	0.90	0.90	
V	2.10	0.60	1.80	

NOTES:-

Clear height of DU = 2.85 m
 Earthquake resistance structure as per site condition
 * All the Dimensions in m

Dr. Hemant Kumar Vinayak
 Assistant Professor
 Department of Civil Engineering
 National Institute of Technology,
 Hamirpur -177005 (H.P.)

Dr. Pardeep Kumar
 Associate Professor (Structural Engg.)
 Civil Engineering Department
 NIT, Hamirpur (H.P.)-177005

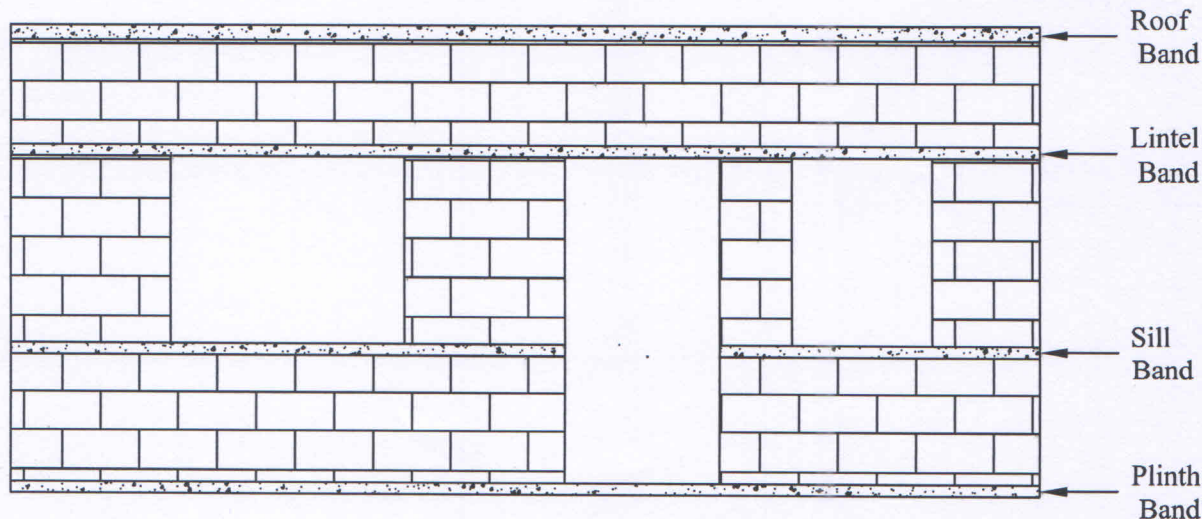
DRG. No. - NIT/CED/2017/PMAY -OP3-MB-SR-ZV/DWG-1

NATIONAL INSTITUTE OF TECHNOLOGY HAMIRPUR

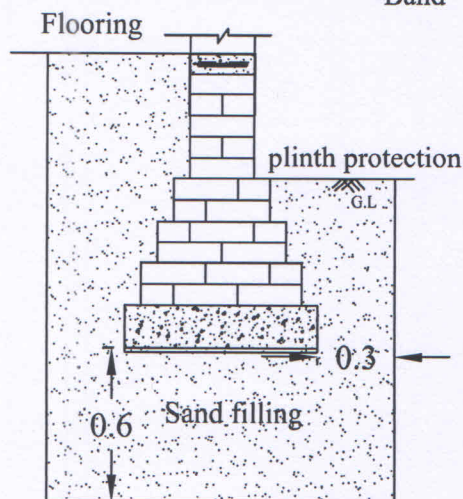
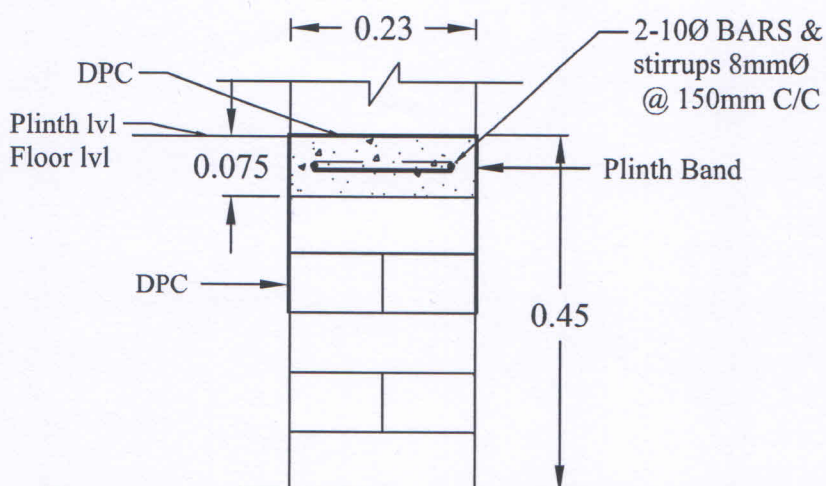
**BUILDING NAME:
 PMAY HFA
 OPTION 3
 MASONRY BUILDING
 SLOPING ROOF
 ZONE V**

**DRAWING TITLE:
 FLOOR PLAN**

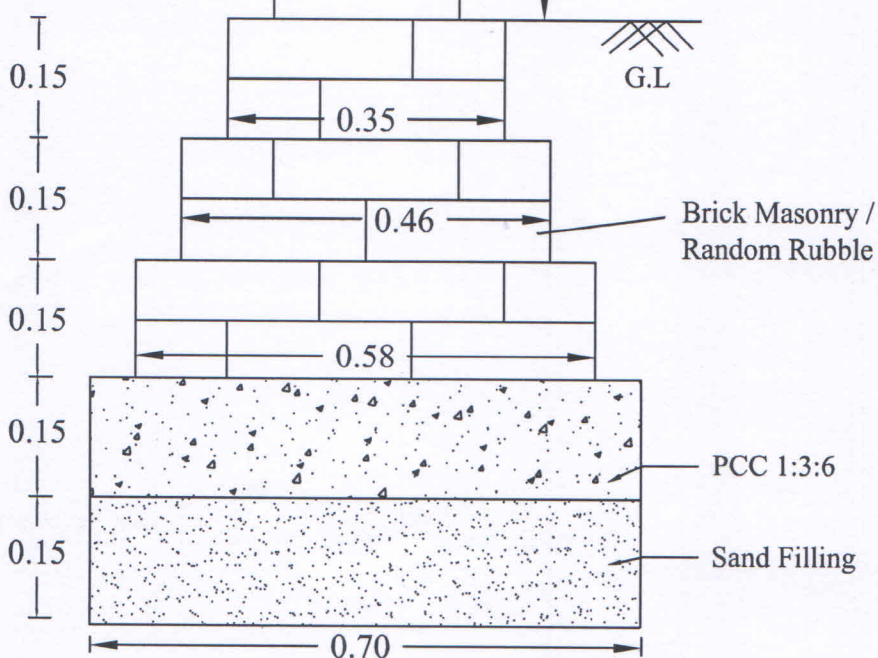
**DESIGNED BY:
 Dr. Pardeep Kumar
 Dr. Hemant Kumar Vinayak**



ELEVATION



- Clear cover for the reinforcement should be 30 mm.
- In case of foundation to be constructed in expansive soil



FOOTING DETAILS

DRG. No. - NIT/CED/2017/PMAY-OP3-MB-SR-ZV/DWG-2

NATIONAL INSTITUTE OF TECHNOLOGY HAMIRPUR

**BUILDING NAME:
PMAY HFA
OPTION 3
MASONRY BUILDING
SLOPING ROOF
ZONE V**

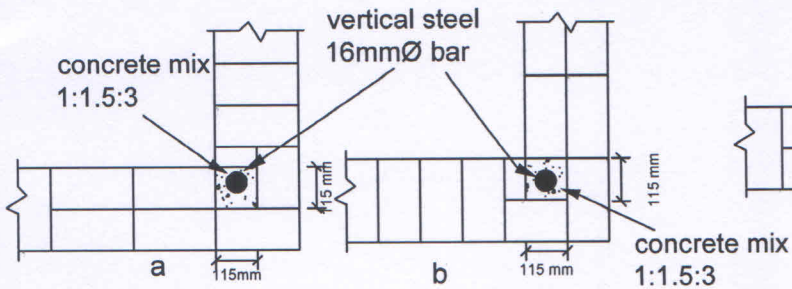
**DRAWING TITLE:
FOOTING DETAIL &
ELEVATION**

**DESIGNED BY:
Dr. Pardeep Kumar
Dr. Hemant Kumar Vinayak**

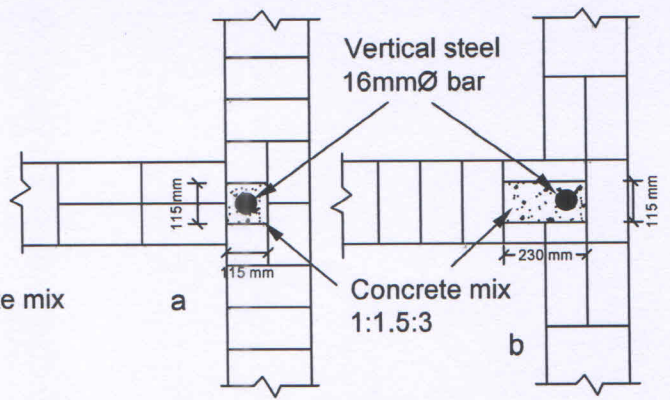
• All dimensions are in meter

Hemant Kumar Vinayak
Dr. Hemant Kumar Vinayak
Assistant Professor
Department of Civil Engineering
National Institute of Technology,
Hamirpur -177005 (H.P.)

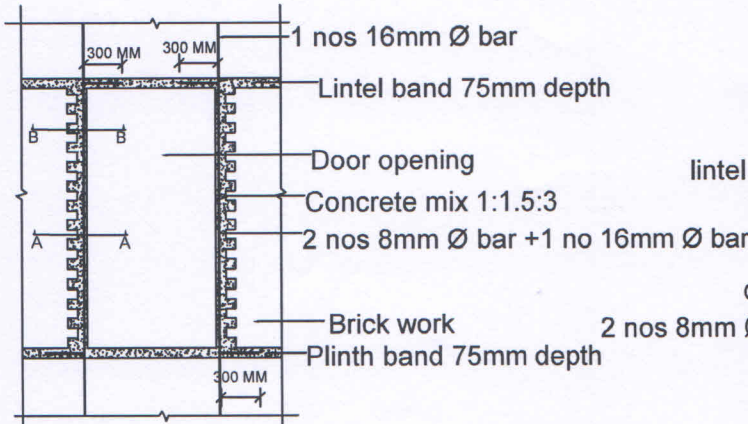
Pardeep Kumar
Dr. Pardeep Kumar
Associate Professor (Structural Engg.)
Civil Engineering Department
NIT, Hamirpur (H.P.)-177005



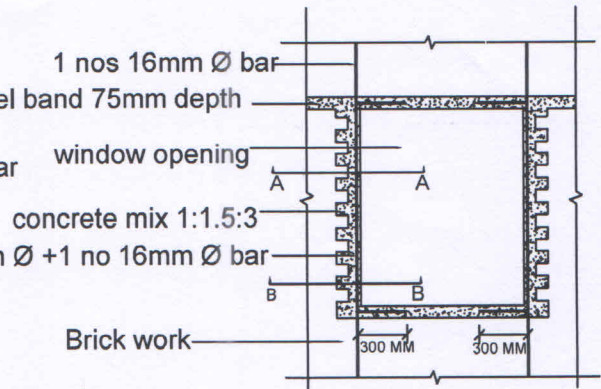
CORNER VERTICAL STEEL
a & b :- alternate courses in one brick wall



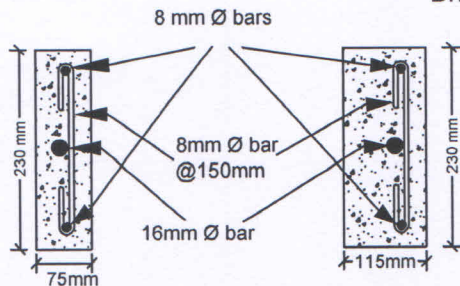
INTERMEDIATE VERTICAL STEEL
a & b :- alternate courses in one brick wall



DETAIL OF R/F AROUND DOOR

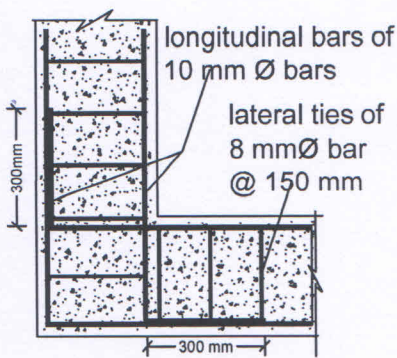


DETAIL OF R/F AROUND WINDOW

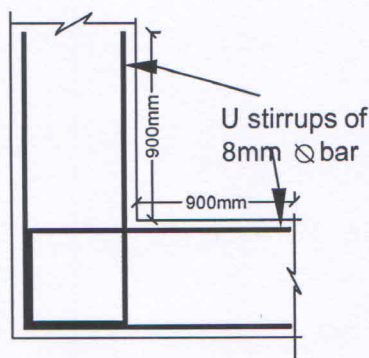


SECTION A-A SECTION B-B

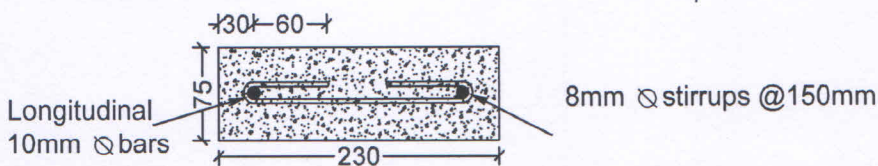
- Lap length and development length (L_d) for 8 mm \varnothing is 400 mm.
- Clear cover for the band should be 30mm.



DETAIL OF PLINTH/LINTEL BAND



PLAN OF SILL LEVEL R/F



SECTION OF PLINTH/LINTEL BAND

DRG. No. - NIT/CED/2017/PMAY -OP3-MB-SR-ZV/DWG-3

NATIONAL INSTITUTE OF TECHNOLOGY HAMIRPUR

**BUILDING NAME:
PMAY HFA
OPTION 3
MASONRY BUILDING
SLOPING ROOF
ZONE V**

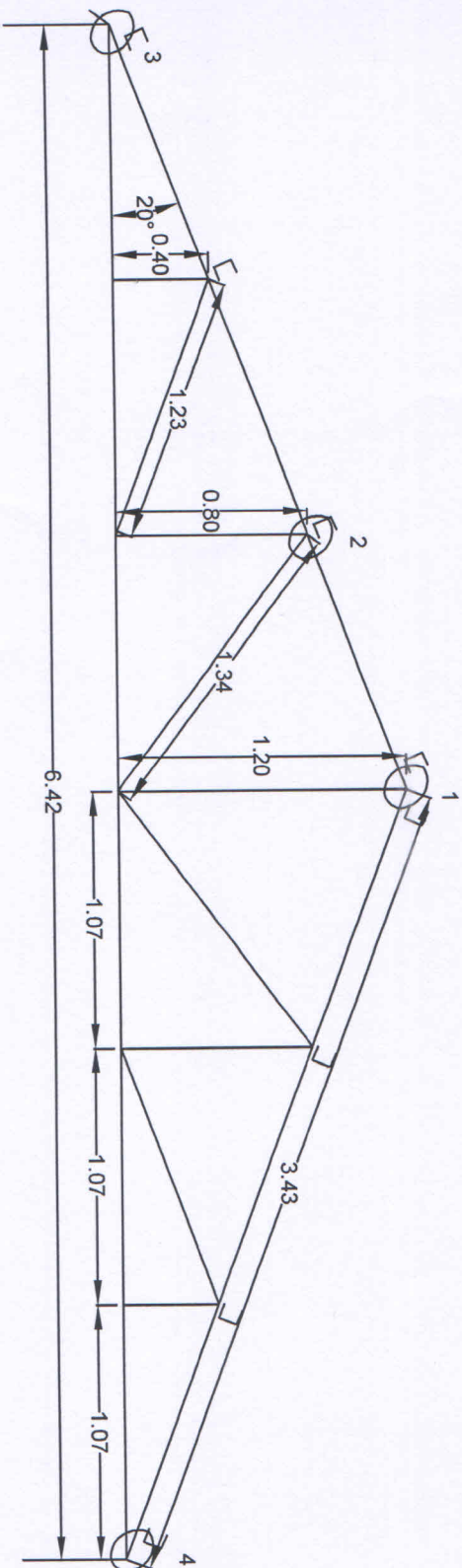
**DRAWING TITLE:
DETAILS OF R/F AROUND
WINDOW & DOOR,
VERTICAL R/F,
CROSS SECTION OF BAND**

**DESIGNED BY:
Dr. Pardeep Kumar
Dr. Hemant Kumar Vinayak**

Dr. Hemant Kumar Vinayak
Assistant Professor
Department of Civil Engineering
National Institute of Technology,
Hamirpur -177005 (H.P.)

All Dimensions are in mm

Dr. Pardeep Kumar
Associate Professor (Structural Engg.)
Civil Engineering Department
NIT Hamirpur (H.P.)-177005

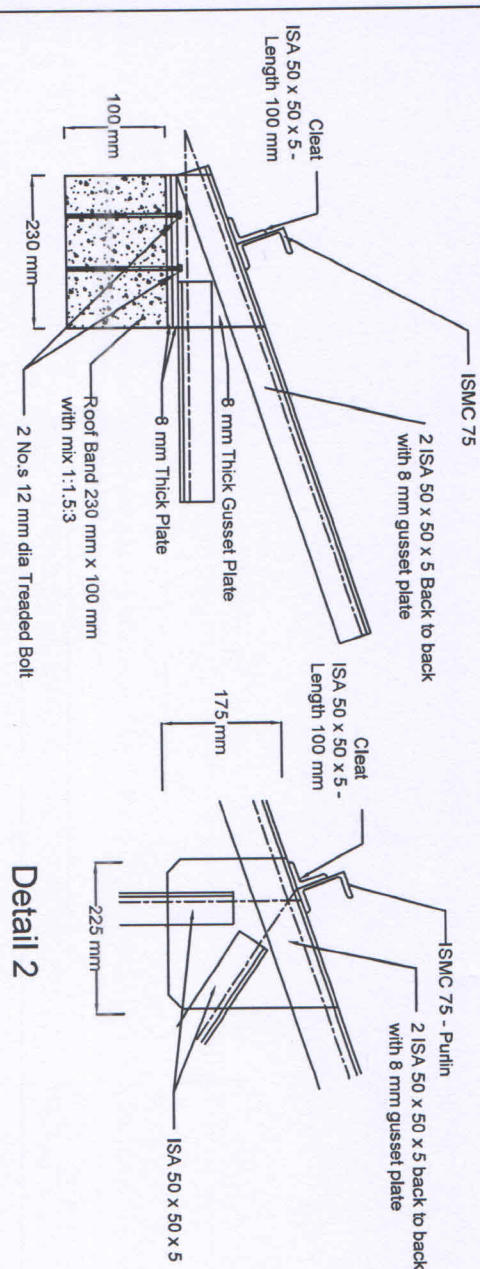


ELEVATION OF TRUSS

<p>DRG. No. - NIT/CED/2017/ PMAY -OP3-MB-SR-ZV/ DWG-4</p>
<p>NATIONAL INSTITUTE OF TECHNOLOGY HAMIRPUR</p>
<p>BUILDING NAME: PMAY HFA OPTION 3 MASONRY BUILDING SLOPING ROOF ZONE V</p>
<p>DRAWING TITLE: ELEVATION OF TRUSS</p>
<p>DESIGNED BY: Dr. Pardeep Kumar Dr. Hemant Kumar Vinayak</p>

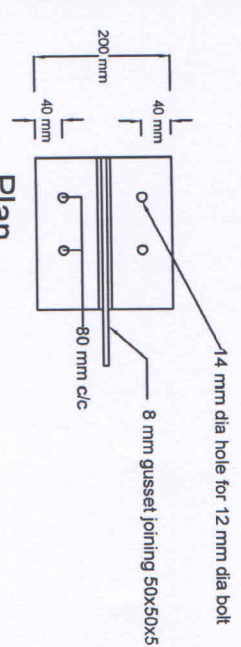
Vinayak
Dr. Hemant Kumar Vinayak
 Assistant Professor
 Department of Civil Engineering
 National Institute of Technology,
 Hamirpur -177005 (H.P.)

Pardeep
Dr. Pardeep Kumar
 Associate Professor (Structural Engg.)
 Civil Engineering Department
 NIT, Hamirpur (H.P.)-177005

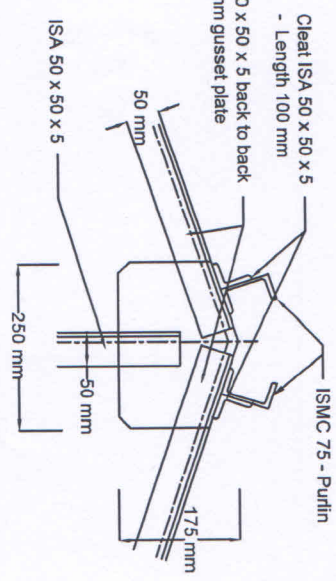


**Elevation
Detail 3**

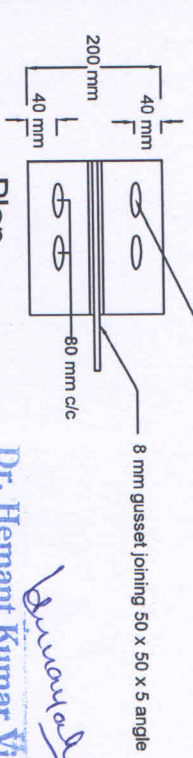
Detail 2



**Plan
Detail 3**



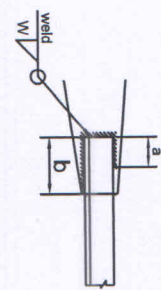
Detail 1



**Plan
Detail 4**

Sr.No.
NOTES:-

1. All dimensions are in mm unless specified.
2. Dimensions are not to be scaled out, only written dimensions may be taken as correct.
3. Grade of concrete M:20.
4. Any discrepancy in structural Drawings should be correlated with Architectural drawing.
5. Scale : Not to scale
6. Truss has been designed for 0.3m snow depth
- 7.



ANGLE SIZE	WELD THK W. mm	a(mm)	b(mm)	GUSSET THK mm
L 50 x 50 x 5	6	50	90	8

TYPICAL DETAILS OF WELD LENGTH

**DRG. No. - NIT/CED/2017/PMAY
-OP3-MB-SR-ZV/DWG-5**

**NATIONAL INSTITUTE OF
TECHNOLOGY HAMIRPUR**

**BUILDING NAME:
PMAY HFA
OPTION 3
MASONRY BUILDING
SLOPING ROOF
ZONE V**

**DRAWING TITLE:
CROSS SECTION OF TRUSS**

**DESIGNED BY:
Dr. Pardeep Kumar
Dr. Hemant Kumar Vinayak**

Hemant Kumar Vinayak

Dr. Hemant Kumar Vinayak
Assistant Professor
Department of Civil Engineering
National Institute of Technology,
Hamirpur -177005 (H.P.)

Pardeep Kumar

Dr. Pardeep Kumar
Associate Professor (Structural Engg.)
Civil Engineering Department
NIT, Hamirpur (H.P.)-177005